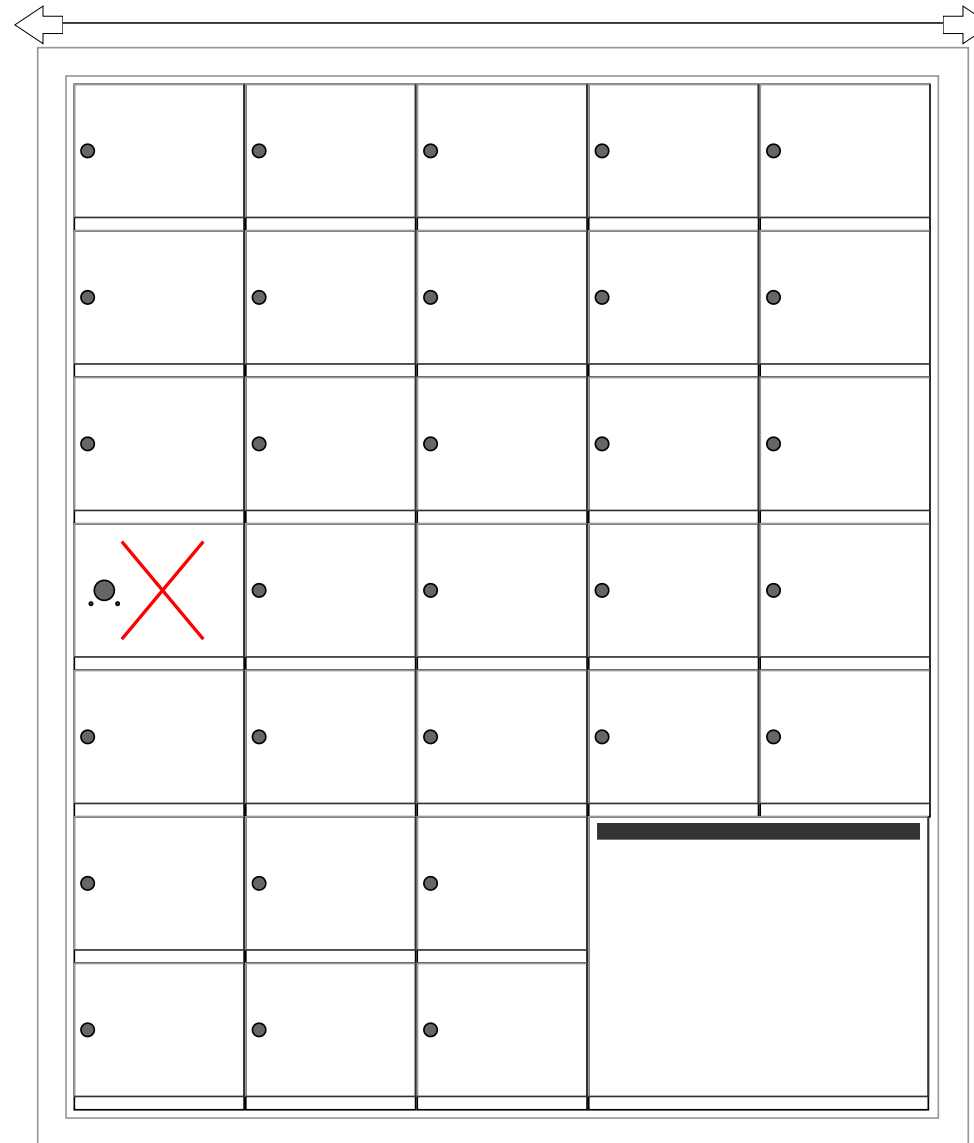
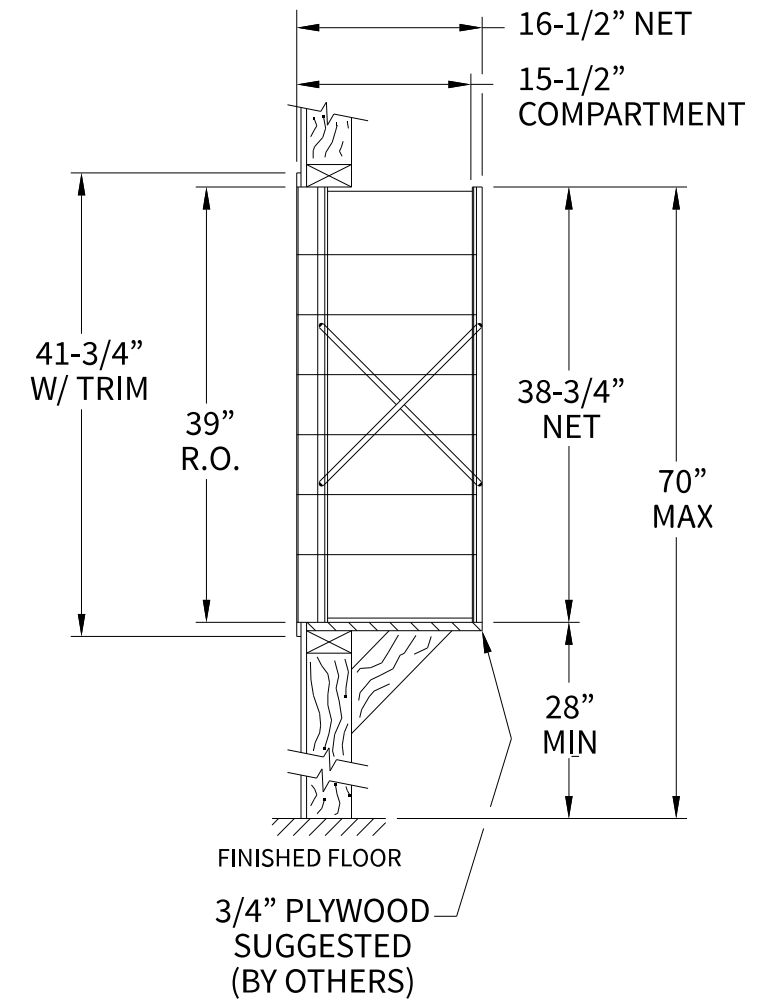


**140075OU Dimensions**

Overall Width w/ Trim: 36-1/8"  
(Rough Opening: 33-7/8")



**Side View**



140075OU

**Configuration Details:**

- 1. **Product Type:** 1400 Horizontal
- 2. **Installation:** Front-load, Recessed Mount
- 3. **Finish:** Anodized Aluminum
- 4. **Locks:** Standard Cam Lock, 2 keys
- 5. **Door Id:** tbd
- 6. **Master Door:** tbd

Matching standard snap-on trim included

**Models Used:**

(1) 140075OU

**DO NOT SCALE OFF DRAWING**

**Door Sizes Used:**

- (30) 1400 1x1 Compartment
- (1) 1x1 Master
- (1) 1404 2x2 Collection

**ELEVATION:** 140075OU | **MAILBOXES:** 30 | **COLLECTION:** 1 |

**PROJECT NAME:** 1400 Series Mailbox

**DRAWN BY:** FLORENCE

**AF FLORENCE**  
manufacturing company

5935 Corporate Drive • Manhattan, KS 66503  
www.florencemailboxes.com • 800.275.1747

A GIBRALTAR INDUSTRIES COMPANY

**DATE:** 01-15-2016

**P.O. NO:**

**SCALE:** NONE

**QUOTE NO:**

**DRAWING NO.** WEB-1934

**SHEET 1 OF 1**